



DLM Maxi

Ceiling Recessed Lights DLM Series

GenLED's 27W DLM MAXI downlight is an architecturally designed high efficiency LED downlight fixture that suits most interior applications. **DLM series** is designed with a multi-lens system with separate lens for each LED which creates a wide range of beam angles. Slotted metal housing provides maximum surface area for heat dissipation. This fixture is designed with non-integral power supply.

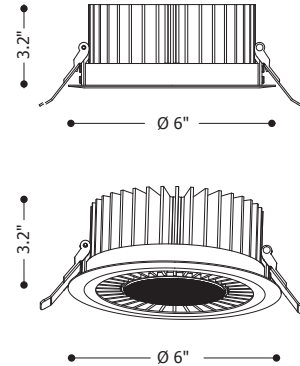
DLM Maxi can be ordered with optional glass protector for damp locations.



SPECIFICATIONS

WATTAGE	27W
NUMBER OF LED'S	9
DIMENSIONS	6 in. (153mm) dia x 3.2 in. (82mm) height
CUTOUT OPENING	5.5 in. (140mm) dia
WEIGHT	0.87 kgs
COLOR TEMPERATURE	3000K (Warm White), 5500K (Cool White)
LINE VOLTAGE	100 - 240V AC
POWER SUPPLY	Non-integral
DIMMABILITY	Optional
DIFFUSER	PMMA Multi-lens System
BODY MATERIAL	Aluminium powder coated
EXTERIOR COLOR	White, Silver, Brushed Aluminium
OPERATING TEMPERATURE	-10°C to +40°C
ENVIRONMENTAL RATINGS	IP40 or IP44 with optional glass protector
CERTIFICATIONS	RoHS, CE
RATED LIFETIME	50,000 hours

DIMENSIONS



PRODUCT SELECTION GUIDE

PRODUCT	COLOR TEMP	WATTS	BEAM ANGLES (DEGREES)	PROTECTION	COLOR
GLL-DLM MAXI	WW-Warm White 3000K	27W	8	0-IP40	W-White
			23		S-Silver
	30		1-IP44	A-Brushed Aluminium	
	45				

Example: GLL-DLM MAXI-CW-27W-23-1-W

APPLICATIONS

Offices, Reception, Meeting Rooms, Lobbies, Corridors and other similar applications.

