



DLMSQ Maxi

Ceiling Recessed Lights DLMSQ Series

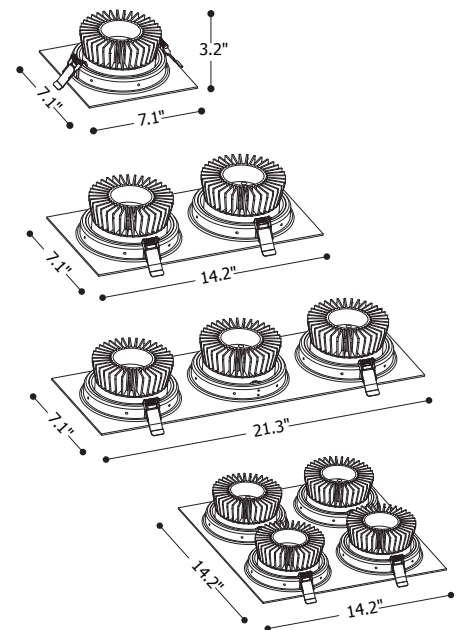
GenLED's DLMSQ Maxi is a recessed adjustable downlight system consisting of 27W DLM downlight modules. The system can be configured with 1x1, 1x2, 1x3 or 2x2 arrangement to achieve the higher lighting requirements. The DLMSQ Series is designed with rectangular or square section.



SPECIFICATIONS

CONFIGURATION	1x27W	2x27W	3x27W	4x27W
WATTAGE	27W	54W	81W	108W
NUMBER OF LED'S	9	18	27	36
DIMENSIONS	7.1 in. (180mm) L x 7.1 in. (180mm) W x 3.2 in. (83mm) H	14.2 in. (360mm) L x 7.1 in. (180mm) W x 3.2 in. (83mm) H	21.3 in. (540mm) L x 7.1 in. (180mm) W x 3.2 in. (83mm) H	14.2 in. (360mm) L x 14.2 in. (360mm) W x 3.2 in. (83mm) H
WEIGHT	1 kgs	1.95 kgs	2.95 kgs	3.95 kgs
COLOR TEMPERATURE	3000K (Warm White), 5500K (Cool White)			
AIMING ANGLE	15° Max.			
LINE VOLTAGE	100 - 240V AC			
POWER SUPPLY	Non-integral			
DIMMABILITY	Optional			
DIFFUSER	PMMA Multi-lens System			
BODY MATERIAL	Aluminium powder coated			
EXTERIOR COLOR	White, Silver, Brushed Aluminium			
OPERATING TEMPERATURE	-10°C to +40°C			
ENVIRONMENTAL RATINGS	IP40			
CERTIFICATIONS	RoHS, CE			
RATED LIFETIME	50,000 hours			

DIMENSIONS



PRODUCT SELECTION GUIDE

PRODUCT	COLOR TEMP	WATTS	BEAM ANGLES (DEGREES)	COLOR
GLL-DLMSQ MAXI	WW-Warm White 3000K	1-1x27W	8	W-White
		2-2x27W	23	S-Silver
	CW-Cool White 5500K	3-3x27W	30	A-Brushed Aluminium
		4-4x27W	45	

Example: GLL-DLMSQ MAXI-CW-2-23-S

APPLICATIONS

Shopping Malls, Corridors, Lobbies, Showrooms, Display areas and other similar high ceiling applications.

