



CONE | Versatile Lights

GenLED's CONE range is a low power, integral, LED lighting system suitable for ceiling surface, ceiling suspended & wall mount applications. The elegant design of the fixture makes it blend harmoniously into any type of interior decor. These versatile lights have virtually no limit in their application. They are used to highlight particular areas or focal points in an interior.

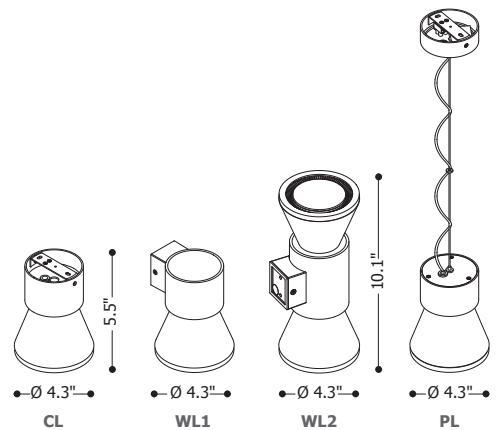
High efficiency LED engines offer superior quality lighting.



SPECIFICATIONS

MODEL	CL	PL	WL1	WL2
WATTAGE	6W	6W	6W	6W up + 6W down
NUMBER OF LED'S	6	6	6	6 + 6
DIMENSIONS	4.3 in. (108mm) D 5.5 in. (140mm) H	4.3 in. (108mm) D 5.5 in. (140mm) H 59 in. (1500mm) suspension	4.3 in. (108mm) D 5.5 in. (140mm) H	4.3 in. (108mm) D 10.1 in. (256mm) H
WEIGHT	0.65 kgs	0.85 kgs	0.72 kgs	1.29 kgs
COLOR TEMPERATURE	3000K (Warm White), 5500K (Cool White)			
LINE VOLTAGE	100 - 240V AC			
POWER SUPPLY	Integral			
DIMMABILITY	Optional Non-integral			
DIFFUSER	PMMA			
BODY MATERIAL	Aluminium powder coated			
EXTERIOR COLOR	White, Silver, Brushed Aluminium			
OPERATING TEMPERATURE	-10°C to +40°C			
ENVIRONMENTAL RATINGS	IP40			
CERTIFICATIONS	RoHS, CE			
RATED LIFETIME	50,000 hours			

DIMENSIONS



PRODUCT SELECTION GUIDE

PRODUCT	MODEL	COLOR TEMP	WATTS	BEAM ANGLES (DEGREES)	COLOR
GLL-CONE	CL	WW-Warm White 3000K	6W	23	W-White S-Silver A-Brushed Aluminium
	PL WL1				
	WL2	CW-Cool White 5500K	2X6W	30	

Example: GLL-CONE-PL-WW-6W-23-S

APPLICATIONS

Used as decorative luminaires for Cashiers, Desk, Counters, Bars, Restaurants, Showrooms, Reception etc.

