



PANTHER

GenLED PANTHER is the high performance outdoor architectural LED flood light fixture. The fixture features robust design with cast Aluminium body, the mounting mechanisms are well engineered to position the fixture in challenging site conditions. The optics provides exceptionally high visual comfort due to tight glare control.

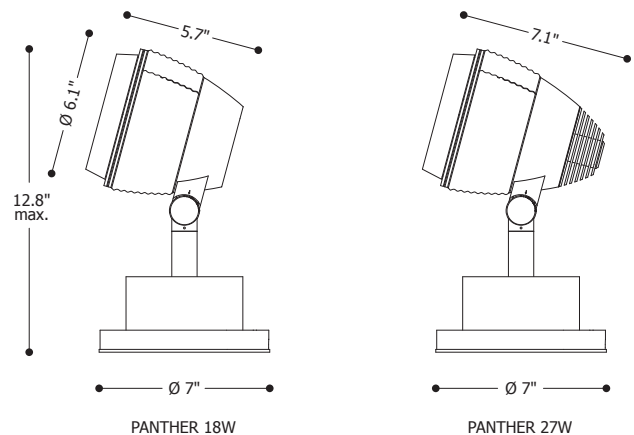
The flood light is available in 18W and 27W versions. Power supply is integral in the base of the fixture.



SPECIFICATIONS

WATTAGE	18W, 27W
NUMBER OF LED'S	6, 9
DIMENSIONS	6.1 in. (155mm) dia x 12.8 in. (325mm) height
WEIGHT	4.3 kgs
COLOR TEMPERATURE	3000K (Warm White), 5500K (Cool White)
LINE VOLTAGE	100 - 240V AC
POWER SUPPLY	Integral
DIMMABILITY	Non-Dimmable
DIFFUSER	Heat resistant glass
BODY MATERIAL	Cast Aluminium powder coated
EXTERIOR COLOR	White, Black, Silver
ENVIRONMENTAL RATINGS	IP65
OPERATING TEMPERATURE	-10°C to +45°C
CERTIFICATIONS	RoHS, CE

DIMENSIONS



PRODUCT SELECTION GUIDE

PRODUCT	COLOR TEMP	WATTS	BEAM ANGLES (DEGREES)	COLOR
GLL-PANTHER	WW-Warm White 3000K	18W	23	W-White
	CW-Cool White 5500K			
	R-Red			
	B-Blue	27W	30	B-Black
	G-Green			
	A-Amber			
RGB		45	S-Silver	

Example: GLL-PANTHER-CW-27W-30-W

APPLICATIONS

Facades, Bridges, Landscape, Indoor/Outdoor structures.

