



LINEAR FLOOD

LINEAR FLOOD is a multifunctional LED light bar for indoor and outdoor lighting. The low profile cross section integrates the fixture discretely with any building architecture.

This linear floodlight is designed with high power LED's that create dynamic color effects and provide an excellent illuminated environment. Made of extruded aluminium body and die cast end caps, this fixture is available in a range of lengths and beam angles.

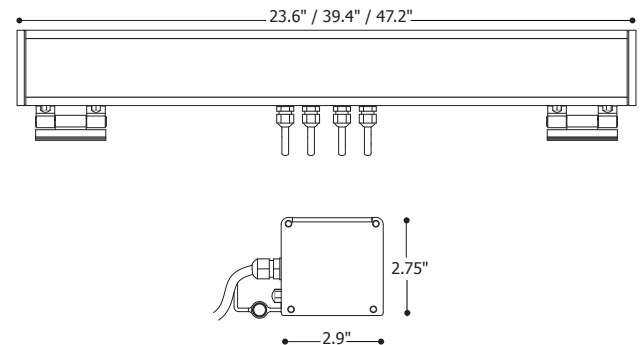
LINEAR FLOOD is available in single color or RGB with DMX control for dramatic lighting effects.



SPECIFICATIONS

LENGTH	11.81 in. (300mm)	23.6 in. (600mm)	35.43 in. (900m)	47.24 in. (1200mm)
WATTAGE OF LED	1W			
NUMBER OF LED'S	12	24	36	48
CROSS SECTION	2.9 in. (73mm) width x 2.75 in. (70 mm) depth			
COLOR TEMPERATURE	3000K (Warm White), 5500K (Cool White) Red, Green, Blue, Amber, RGB			
LINE VOLTAGE	100 - 240V AC			
POWER SUPPLY	Integral			
DIMMABILITY	Optional			
DIFFUSER	Heat resistant glass			
BODY MATERIAL	Extruded Aluminium powder coated			
END CAP MATERIAL	Cast Aluminium			
EXTERIOR COLOR	Black, Silver			
ENVIRONMENTAL RATINGS	IP66			
OPERATING TEMPERATURE	-10°C to +45°C			
CERTIFICATIONS	RoHS, CE			

DIMENSIONS



PRODUCT SELECTION GUIDE

PRODUCT	COLOR TEMP	LENGTH	BEAM ANGLES (DEGREES)	COLOR
GLL-LF	WW-Warm White 3000K	300	8	B-Black S-Silver
	CW-Cool White 5500K			
	R-Red	600	12	
	B-Blue	900	20	
	G-Green	1200	30	
	A-Amber		40	
	RGB			

Example: GLL-LF-CW-600-12-S

APPLICATIONS

Ideal for grazing illumination of architectural Facades and Structures, Wall Wash, Back Lighting and similar other applications.

