



MR16-PINHOLE

Ceiling Recessed Lights DLMR16 Series

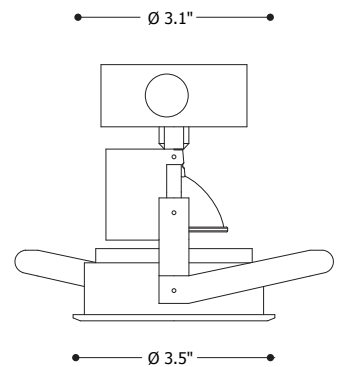
GenLED's **DLMR16-PINHOLE** is a recessed spotlight with small diameter and pinhole aluminium reflector. The fixture is designed for **GenLED's** MR16 LED lamps. The fixture enables superior quality glare free lighting with controlled light distribution.



SPECIFICATIONS

LAMP	All GLL-MR16 LED lamps
DIMENSIONS	3.5 in. (88mm) dia x 4.4 in. (112mm) height
CUTOUT OPEN	3.2 in. (80mm) dia
WEIGHT	0.2 kgs
BODY MATERIAL	Steel trim
EXTERIOR COLOR	White
OPERATING TEMPERATURE	-10°C to +40°C
ENVIRONMENTAL RATINGS	IP20
CERTIFICATIONS	CE

DIMENSIONS



PRODUCT SELECTION GUIDE

GLL-DLMR16-PINHOLE

Note:

MR16 LED lamps and power supplies shall be ordered separately.

APPLICATIONS

Hotels, Offices, Showrooms, Corridors, Receptions, etc.

