



# RAMP

GenLED's RAMP is an architecturally designed light fixture suitable for universal applications – wall, ceiling recess and floor mounting. It is an excellent alternate to conventional light sources for sub-surface lighting, ramp and landscape lighting.

This elegantly designed fixture uses LED technology which produces less heat on the glass surface and therefore it is safe for human touch. The fixture is supplied in symmetrical or asymmetrical light distribution.

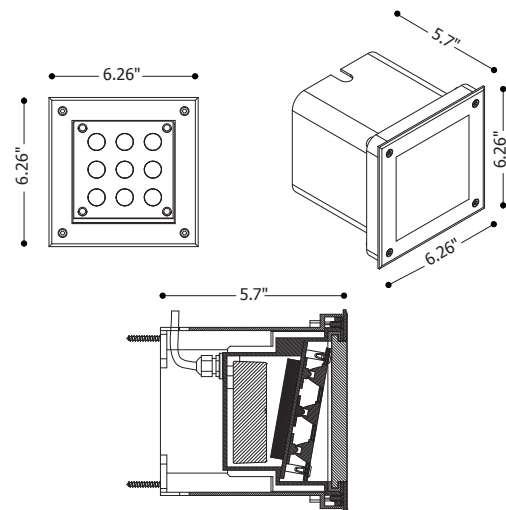
The asymmetrical distribution version is ideal for ramp lighting. It directs the light on pathway for efficient illumination and reduced glare. Fixture is supplied with installation kit. Clear or frosted glass diffusers are available.



## SPECIFICATIONS

<b>WATTAGE</b>	9W, 27W
<b>NUMBER OF LED'S</b>	9
<b>DIMENSIONS</b>	6.26 in. (159mm) length 6.26 in. (159mm) width 5.7 in. (132mm) depth
<b>WEIGHT</b>	2.5 kgs
<b>COLOR TEMPERATURE</b>	3000K (Warm White), 5500K (Cool White) Blue, Green, Red, Amber
<b>LINE VOLTAGE</b>	100 - 240V AC
<b>POWER SUPPLY</b>	Integral
<b>DIMMABILITY</b>	Non-Dimmable
<b>DIFFUSER</b>	Heat resistant glass, clear or frosted
<b>BODY MATERIAL</b>	Aluminium powder coated body, Stainless steel trim
<b>EXTERIOR COLOR</b>	Matt stainless steel trim
<b>ENVIRONMENTAL RATINGS</b>	IP65, IP66 for buried
<b>OPERATING TEMPERATURE</b>	-10°C to +45°C
<b>CERTIFICATIONS</b>	RoHS, CE

## DIMENSIONS



## PRODUCT SELECTION GUIDE

PRODUCT	COLOR TEMP	DISTRIBUTION	WATTS	BEAM ANGLES (DEGREES)	DIFFUSER
GLL-RAMP	WW-Warm White 3000K	S-Symmetrical	9W	23	C-Clear F-Frosted
	CW-Cool White 5500K				
	R-Red	A-Asymmetrical	27W	30	
	B-Blue				
	G-Green				
A-Amber			45		

Example: GLL-RAMP-WW-S-9W-45-F

## APPLICATIONS

Pathway, Ramp, Facades, Canopy, Exterior Corridors, Parks, buried uplighting, etc.

