

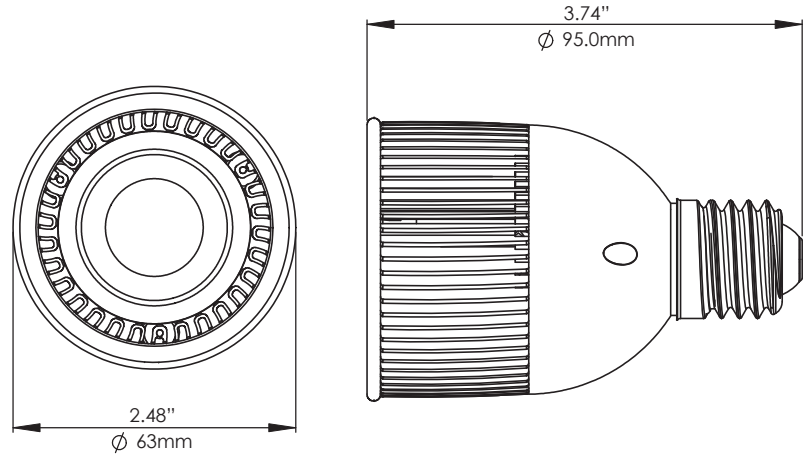
PAR 20 Dimmable LED Lamps



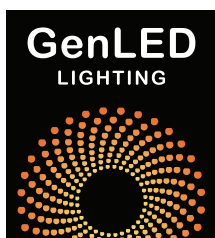
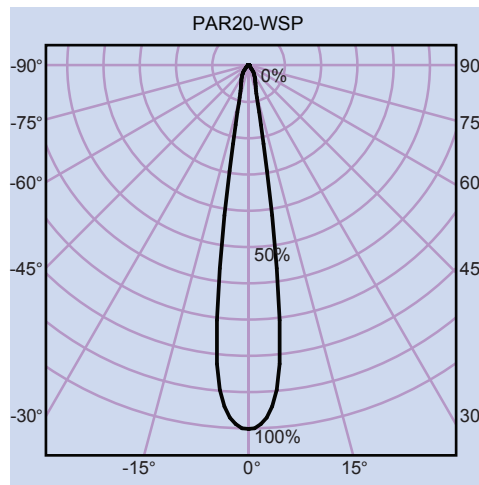
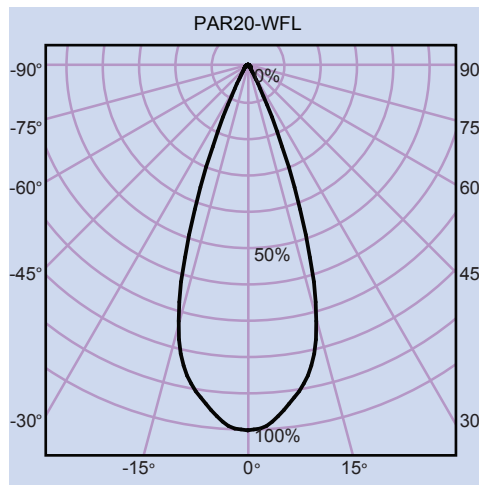
Dimmer Compatibility

Make	Model	Country
Lutron	skylark S-600	US
Lutron	Credenza TT-300	US
Busch	6513 U-102	Europe
PEHA	434	Germany
vedder	50/380 (T30.02)	Germany
REV	136231	Germany
Everflourish	EF700DC	Germany
Niko	310-017**	Germany
JUNG	244EX	Europe
JUNG	243EX	Europe
Robus	L2503G2W	Ireland
Legrand	A8051	
TCL	A6/M2	China
MASANO	A6B11	Japan
CLIPSAL	E3032HD	Australia

Note: Above dimmer types have been tested compatible with LED bulbs in this spec sheet. The compatibility of other types of dimmers should be tested at installation. Or contact General LED Inc for support of dimmer compatibility test.



Luminous Intensity Distribution



General LED, Inc.
 1218 Arion Parkway, Ste 108
 San Antonio, TX 78216
 United States of America
 1-866-482-0203
www.GenLEDLIGHTING.com
www.generalled.com

General LED Fze
 JAFZA Views Bld 19, Ste 1706
 Jebel Ali Free Zone South
 Dubai
 United Arab Emirates
 971-4-886-5204

CAUTIONS

1. Risk of Electric Shock - Use in Indoor Dry Locations Only.
2. Do Not disassemble this product. No user serviceable parts inside.
3. Not for use in totally enclosed recessed luminaires, or recessed luminaires in an insulated ceiling.
4. Added Weight of this lamp may cause instability of a free-standing portable luminaire. To prevent injury or property damage from falling lamp, only use in luminaires that can support the lamp weight.
5. Lamp should be installed in an environment with ambient temperature ranging between -20°C and +45°C (-20°F and +113°F).
6. This product is not intended for use in emergency light fixtures or exit signs.