

GREEN LIGHTING SOLUTIONS

MR 16 LED Lamps



Features and Benefits

- Replaces 20 watt halogen MR16 lamps.
- Reduces energy consumption by 80%.
- Lasts 12x longer than halogen lamps.
- Significantly reduces maintenance cost.
- Dimmable with specified dimmers
- Mercury free and lead free
- No UV, no IR emission
- Operating temperature range between -20°C and +45°C (-20°F and +113°F)
- Suitable for indoor applications
- GU5.3 bi-pin base

Applications

- Recessed Downlight
- Track Light
- Pendant Light
- Retail Shops and Supermarkets
- Museums and Galleries
- Hotels and Restaurants
- Residential homes

Energy Savings

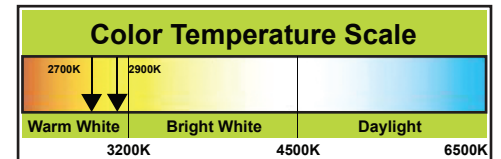
	Lifetime	Wattage	Wattage Savings	Energy Savings
GenLED MR16	35,000 hrs	3.5W		
Halogen MR16	3,000 hrs	20W	16.5W	80%

Ordering Information (subject to change without notice)

Ordering Code	Lamp Type	Base	Input Voltage (volt)	Nominal Wattage (watt)	Nominal Light Output* (lumen)	Beam Angle	Nominal CBCP* (candela)	CCT	CRI	Rated Avg. Life (hour)	Bulb Weight (lb)
MR16-WFL-C8229-200-G1	MR16	GU5.3 Bi-Pin	12	3.5	200	35°	480	2900K	82	35,000	0.09
MR16-WSP-C8229-200-G1	MR16	GU5.3 Bi-Pin	12	3.5	200	15°	1470	2900K	82	35,000	0.09
MR16-WFL-C8227-200-G1	MR16	GU5.3 Bi-Pin	12	3.5	180	35°	430	2700K	82	35,000	0.09
MR16-WSP-C8227-200-G1	MR16	GU5.3 Bi-Pin	12	3.5	180	15°	1320	2700K	82	35,000	0.09

Ordering Guide

MR16	-WFL	-C	82	29	-200	-G1
Lamp Type	Beam Spread	Color	CRI 82	CCT 2900K	Lumen Category	1st Generation
	WFL - Wide Flood				200:200-300lm	
	FL - Flood					
	WSP - Wide Spot					

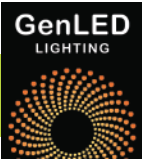


Shipping Information

Ordering Code	SKU	Case Quantity	Case Weight (lb)	SKU Dimensions (W x D x H)	Case Dimensions (W x D x H)
MR16-WFL-C8229-200-G1	1 lamp/SKU	25 SKUs	3.2	1.97"x1.97"x1.73"	10.6"x10.6"x3.3"
MR16-WSP-C8229-200-G1	1 lamp/SKU	25 SKUs	3.2	1.97"x1.97"x1.73"	10.6"x10.6"x3.3"
MR16-WFL-C8227-200-G1	1 lamp/SKU	25 SKUs	3.2	1.97"x1.97"x1.73"	10.6"x10.6"x3.3"
MR16-WSP-C8227-200-G1	1 lamp/SKU	25 SKUs	3.2	1.97"x1.97"x1.73"	10.6"x10.6"x3.3"



This light source meets restrictions on hazardous substances.



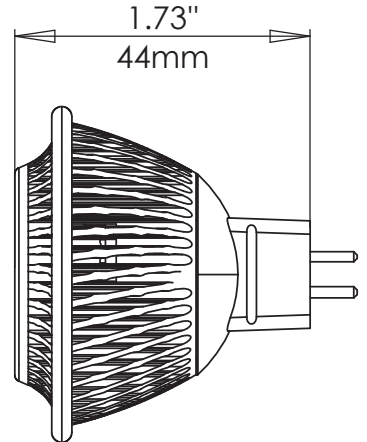
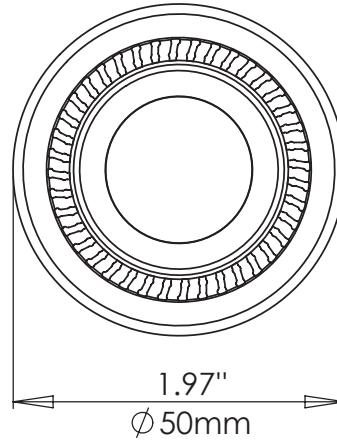
MR 16 LED Lamps



Dimmer Compatibility

Make	Model	Max. Wattage	Max. Lamps per Dimmer
Leviton	6631-LW	600W	162
Leviton	6633-PLW	600W	162
Leviton	IPI06-1LX	600W	162
Lutron	S-600P	600W	162
Lutron	D-600P	600W	162

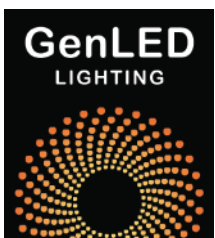
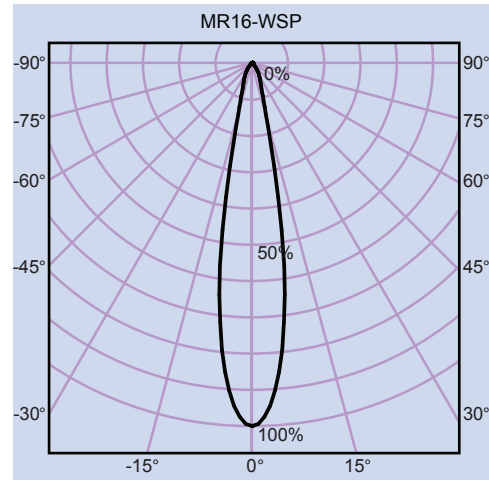
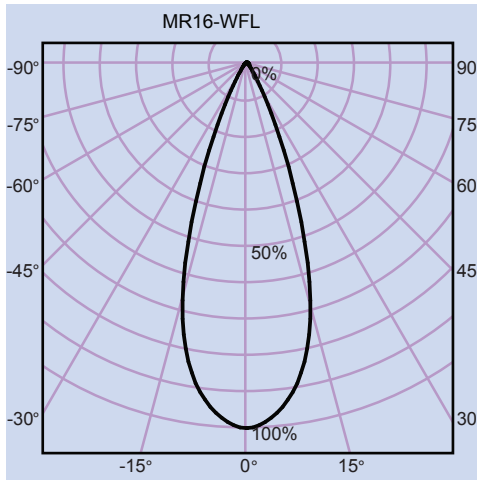
Note: Above dimmer types have been tested compatible with LED bulbs in this spec sheet. The compatibility of other types of dimmers should be tested at installation. Or contact GenLED Lighting for support of dimmer compatibility test.
LED bulbs in this spec sheet compatible with DC (Secondary Side) Dimmers.



Power Supply Compatibility

Make	Model	Input Voltage (VAC)	Output Voltage (VDC _{MAX})	Output Amperage (ADC _{MAX})	Output Wattage (W _{MAX})	Min. Number of Lamps	Max. Number of Lamps
Advance	LEDINTA0012V50FOM	120-240	12	5.0	60	1	16
	LED120A0012V50FM	120	12	5.0	60	1	16
	LED120A0012V10FM	120	12	1.0-10.0	12	1	2
	LEDUNIA0700C12F	120-230	12	0.7	8	1	2
GenLED Lighting	GLL-PS-12W	100-240	12	1.0	12	1	3
Lightech	LET 60	120	12	5.0	60	6	16
	LET 75	120	12	6.25	75	6	20

Luminous Intensity Distribution



General LED, Inc.
1218 Arion Parkway, Ste 108
San Antonio, TX 78216
United States of America
1-866-482-0203
www.GenLEDLIGHTING.com
www.generalled.com

General LED Fze
JAFZA Views Bld 19, Ste 1706
Jebel Ali Free Zone South
Dubai
United Arab Emirates
971-4-886-5204

CAUTIONS

1. Risk of Electric Shock - Use in Indoor Dry Locations Only.
2. Do Not disassemble this product. No user serviceable parts inside.
3. Not for use in totally enclosed recessed luminaires, or recessed luminaires in an insulated ceiling.
4. Added Weight of this lamp may cause instability of a free-standing portable luminaire. To prevent injury or property damage from falling lamp, only use in luminaires that can support the lamp weight.
5. Lamp should be installed in an environment with ambient temperature ranging between -20°C and +45°C (-20°F and +113°F).
6. This product is not intended for use in emergency light fixtures or exit signs.