

COVE LIGHTING

L I G H T I N G L I V E S

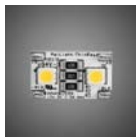
INTRODUCTION _____ 01



TUFFRAYZ _____ 03



TUFFRAYZ JUNIOR _____ 05



THINRAYZ _____ 07



THINRAYZ XTRA _____ 09

POWER SUPPLIES _____ 11

ENCLOSURE FOR COVE LIGHTING _____ 12



Cove Lighting provides an excellent form of indirect lighting as primary lighting and aesthetic accent. **GenLED** offers a range of high quality LED lighting products that illuminate coves efficiently while being environmentally responsible.

LED ADVANTAGES

GenLED cove lighting products provide all of the benefits that LED technology has to offer:

- Reduced energy consumption
- Lower operating costs
- Reduced heat
- Dimmable
- Environment friendly

EASE OF INSTALLATION

Installation costs are reduced with GenLED cove lighting products. All products feature 3M VHB adhesive tapes which facilitates quick, easy installation of the modules. Due to the fact that **GenLED** products come prewired, installation is further expedited by a reduced number of electrical connections and terminations.

WIDER PRODUCT RANGE

GenLED offers wide range of cove lighting products with various lumen outputs, beam angles and color temperatures. This wide variety of choices enables **GenLED** products to fit any application or requirement.

CONTINUOUS LIGHTING

Use of GenLED products for cove lighting and similar applications eliminates the dark areas that are normally seen where two fluorescent tubes meet in a cove.



Fluorescent Cove Light



LED Cove Light





TUFFRAYZ

TUFFRAYZ is a heavy-duty and essentially weather-proof LED product from **GenLED**. The LED module is extremely durable and is designed to endure the most extreme weather conditions including heat, cold and moisture. It features a protective molded body and fully potted protection of the circuitry and connections for wet location use.

Additionally, the two secondary supply wires in **TUFFRAYZ** run the full 25 foot length of a strand and the circuit boards inside the modules are screwed to each wire in two places. This increased durability makes **TUFFRAYZ** an excellent product to retrofit in physically challenging installations.

TUFFRAYZ provides superb color and high efficiency. The peel and stick modules provide an easy way to install in straight or curved structures. **TUFFRAYZ** also has a mounting hole in case mechanical fastening is necessary or desired.

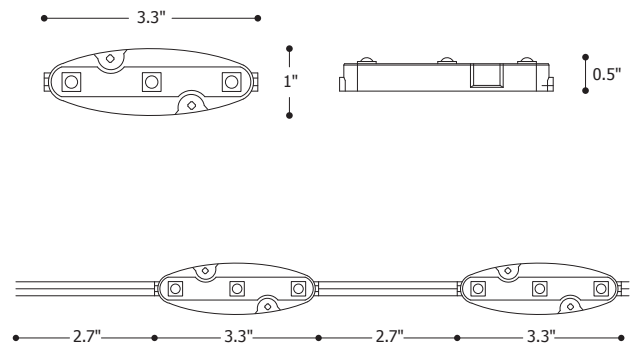
TUFFRAYZ can be also used with **GenLED** enclosures. For more details please refer Enclosure Section.



SPECIFICATIONS

LUMINOUS FLUX	65 lm per foot (Cool White)
NUMBER OF MODULES	2 modules per foot
NUMBER OF LED'S	3 LED's per module
WATTAGE	1.0W per foot
OPERATING CURRENT	0.08A per foot
BEAM ANGLE	120°
COLOR TEMPERATURE	3000K (Warm White), 6800K (Cool White), Red, Orange, Amber, Blue, Green
OPERATING VOLTAGE	12V DC
DIMMABILITY	Dimmable
MODULE DIMENSIONS	3.3 in. L x 1.0 in. W x 0.5 in. H (84 mm L x 25.4 mm W x 12.7 mm H)
MOUNTING TYPE	High strength VHB tape 3M
OPERATING TEMPERATURE	-40°C to +60°C
STORAGE TEMPERATURE	-40°C to +90°C
ENVIRONMENTAL RATINGS	IP66
CERTIFICATIONS	UL, RoHS, CE
RATED LIFETIME	50,000 hours

DIMENSIONS



PRODUCT SELECTION GUIDE

PRODUCT	COLOR TEMP	WATTS PER FT
GLL-TUFFRAYZ	WW-Warm White 3000K	1 W
	CW-Cool White 6800K	
	R-Red	
	O-Orange	
	A-Amber	
	G-Green	
	B-Blue	

Example: GLL-TUFFRAYZ-CW-1W

APPLICATIONS

Cove Lighting, Hand rails, Edge lighting, Backlighting, Signage and Accent Lighting.







TUFFRAYZ JUNIOR

TUFFRAYZ JUNIOR is a heavy-duty and essentially weather-proof LED product from **GenLED**. Due to its smaller size, **TUFFRAYZ JUNIOR** lends itself to tightly spaced cove lighting and similar applications. The LED module is designed to endure the most extreme weather conditions including heat, cold and moisture. It features a protective molded body and fully potted protection of the circuitry and connections for wet location use.

Additionally, the two secondary supply wires in **TUFFRAYZ JUNIOR** run the full 25 foot length of a strand and the circuit boards inside the modules are screwed to each wire in two places. This increased durability makes **TUFFRAYZ JUNIOR** an excellent product to retrofit in physically challenging installations.

TUFFRAYZ JUNIOR provides superb color and high efficiency. The peel and stick modules provide an easy way to install in straight or curved structures. **TUFFRAYZ JUNIOR** also has a mounting hole in case mechanical fastening is necessary or desired.

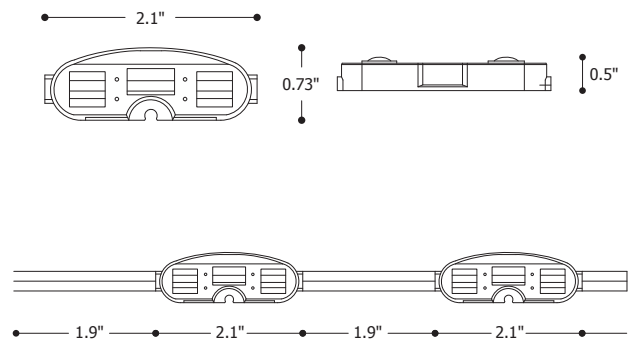
TUFFRAYZ JUNIOR can be also used with **GenLED** enclosures. For more details please refer Enclosure Section.



SPECIFICATIONS

LUMINOUS FLUX	65 lm per foot (Cool White)
NUMBER OF MODULES	3 modules per foot
NUMBER OF LED'S	2 LED's per module
WATTAGE	1W per foot
OPERATING CURRENT	0.08A per foot
BEAM ANGLE	120°
COLOR TEMPERATURE	3000K (Warm White), 6800K (Cool White), Red, Amber, Green, Blue
OPERATING VOLTAGE	12V DC
DIMMABILITY	Dimmable
MODULE DIMENSIONS	2.1 in. L x 0.73 in. W x 0.5 in. H (54 mm L x 18.5 mm W x 12.7 mm H)
MOUNTING TYPE	High strength VHB tape 3M
OPERATING TEMPERATURE	-40°C to +60°C
STORAGE TEMPERATURE	-40°C to +90°C
ENVIRONMENTAL RATINGS	IP66
CERTIFICATIONS	UL, RoHS, CE
RATED LIFETIME	50,000 hours

DIMENSIONS



PRODUCT SELECTION GUIDE

PRODUCT	COLOR TEMP	WATTS PER FT
GLL-TUFFRAYZ JR	WW-Warm White 3000K	1W
	CW-Cool White 6800K	
	R-Red	
	A-Amber	
	G-Green	
	B-Blue	

Example: GLL-TUFFRAYZ JR-CW-1W

APPLICATIONS

Cove Lighting, Hand rails, Edge lighting, Backlighting, Signage and Accent Lighting.





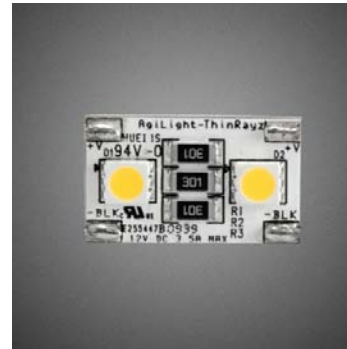


THINRAYZ

TriDie™ Technology **THINRAYZ** provides superb color options while maintaining high efficiency. The low form factor allows **THINRAYZ** to work in almost any situation from small, tight spaces to large areas. The 3M pressure sensitive, peel & stick tape attached to the modules provide an easy way to install in straight or curved structures. **THINRAYZ** is suitable to use directly in damp locations without need for enclosures.

THINRAYZ modules achieve unmatched energy-efficiency and brightness by using state-of-the-art TriDie LED technology. TriDie Technology optimizes brightness and uniformity, blends light to reduce color variation and drastically reduces the amount of energy needed for proper illumination.

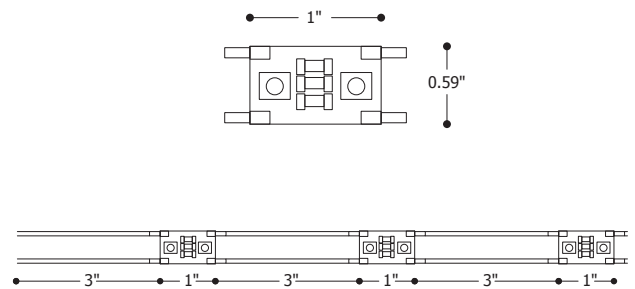
THINRAYZ can be also used with **GenLED** enclosures. For more details please refer Enclosure Section.



SPECIFICATIONS

	ThinRayz - 1.9W/ft	ThinRayz - 2.5W/ft
LUMINOUS FLUX	78 lm per foot (CW)	104 lm per foot (CW)
NUMBER OF MODULES	3 modules per foot	4 modules per foot
WATTAGE	1.9W per foot	2.5W per foot
OPERATING CURRENT	0.159A per foot	0.212A per foot
NUMBER OF LED'S	2 LED's per module	
BEAM ANGLE	120°	
COLOR TEMPERATURE	2400K (Extra Warm White), 3000K (Warm White), 6500K (Cool White), Red, Amber, Green, Blue	
OPERATING VOLTAGE	12V DC	
DIMMABILITY	Dimmable	
MODULE DIMENSIONS	1.00 in. L x 0.59 in. W x 0.19 in. H (25.4 mm L x 15 mm W x 5 mm H)	
MOUNTING TYPE	High strength VHB tape 3M	
OPERATING TEMPERATURE	-40°C to +60°C	
STORAGE TEMPERATURE	-40°C to +90°C	
ENVIRONMENTAL RATINGS	UL recognized for wet, dry or damp locations	
CERTIFICATIONS	UL, RoHS, CE	
RATED LIFETIME	50,000 hours	

DIMENSIONS



PRODUCT SELECTION GUIDE

PRODUCT	COLOR TEMP	WATTS PER FT
GLL-THINRAYZ	EWV-Extra Warm White 2400K	1.9W 2.5W
	WW-Warm White 3000K	
	CW-Cool White 6500K	
	R-Red	
	A-Amber	
	G-Green	
	B-Blue	

Example: GLL-THINRAYZ-WW-1.9W

APPLICATIONS

Cove Lighting, Hand rails, Edge lighting, Backlighting, Signage.







THINRAYZ XTRA

THINRAYZ XTRA provides superb color and high efficiency while maintaining low profile and high out put. It works in tight spaces due to its slim design. The 3M VHB peel and stick modules provide an easy way to install in straight or curved structures. **THINRAYZ XTRA** is suitable to use directly in damp locations without the need for enclosures.

TriDie™ Technology **THINRAYZ XTRA** achieves unmatched energy-efficiency and brightness by using state-of-the-art TriDie LED technology. TriDie Technology optimizes brightness and uniformity, blends light to reduce color variation and drastically reduces the amount of energy needed.

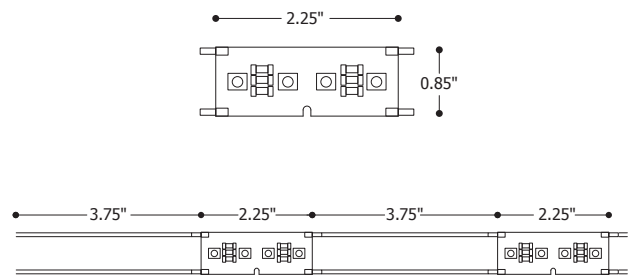
THINRAYZ XTRA can be used with **GenLED** enclosures. For more details please refer Enclosure Section.



SPECIFICATIONS

	ThinRayz Xtra - 2.5W/ft	ThinRayz Xtra - 4.4W/ft
LUMINOUS FLUX	104 lm per foot (CW)	182 lm per foot (CW)
NUMBER OF MODULES	2 modules per foot	7 modules per 2 feet
WATTAGE	2.5W per foot	4.4W per foot
OPERATING CURRENT	0.212A per foot	0.371A per foot
NUMBER OF LED'S	4 LED's per module	
BEAM ANGLE	120°	
COLOR TEMPERATURE	2400K (Extra Warm White), 3000K (Warm White), 6500K (Cool White), Red, Amber, Green, Blue	
OPERATING VOLTAGE	12V DC	
DIMMABILITY	Dimmable	
MODULE DIMENSIONS	2.25 in. L x 0.85 in. W x 0.19 in. H (57 mm L x 22 mm W x 5 mm H)	
MOUNTING TYPE	High strength VHB tape 3M	
OPERATING TEMPERATURE	-40°C to +60°C	
STORAGE TEMPERATURE	-40°C to +90°C	
ENVIRONMENTAL RATINGS	UL recognized for wet, dry or damp locations	
CERTIFICATIONS	UL, RoHS, CE	
RATED LIFETIME	50,000 hours	

DIMENSIONS



PRODUCT SELECTION GUIDE

PRODUCT	COLOR TEMP	WATTS PER FT
GLL-THINRAYZ XTRA	EWV-Extra Warm White 2400K	2.5W 4.4W
	WW-Warm White 3000K	
	CW-Cool White 6500K	
	R-Red	
	A-Amber	
	G-Green B-Blue	

Example: GLL-THINIRAYZ XTRA-WW-2.5W

APPLICATIONS

Cove Lighting, Hand rails, Edge lighting, Backlighting, Signage.







Power Supplies

GenLED power supplies are recommended for use in conjunction with GenLED Cove Lighting products. GenLED offers a range of power supplies to fit a variety of applications. All power supplies feature short circuit protection, high reliability and high efficacy.

SPECIFICATIONS

	60W POWER SUPPLY
INPUT VOLTAGE	100-240V
FREQUENCY	50-60HZ
OUTPUT VOLTAGE	12V
OPERATING TEMPERATURE	-20°C to +60°C
SAFETY STANDARDS	UL 1310 class 2, EN 60950-1, EN61347-2-13
LEAKAGE CURRENT	3.5 mA / 240V AC

NOTES:
Optional Dimming function available.

AVAILABLE RANGE

- 30 Watts
- 60 Watts
- 100 Watts

POWER SUPPLY LOADING CHART

	60W POWER SUPPLY	100W POWER SUPPLY
TUFFRAYZ	60 ft	100 ft
TUFFRAYZ JR	40 ft	67 ft
THINRAYZ 1.9W	30 ft	50 ft
THINRAYZ 2.5W	22 ft	35 ft
THINRAYZ XTRA 2.5W	22 ft	35 ft
THINRAYZ XTRA 4.4W	10 ft	18 ft

Above figures are the maximum length recommended for each type of Power Supply.





Enclosures for Cove Lighting

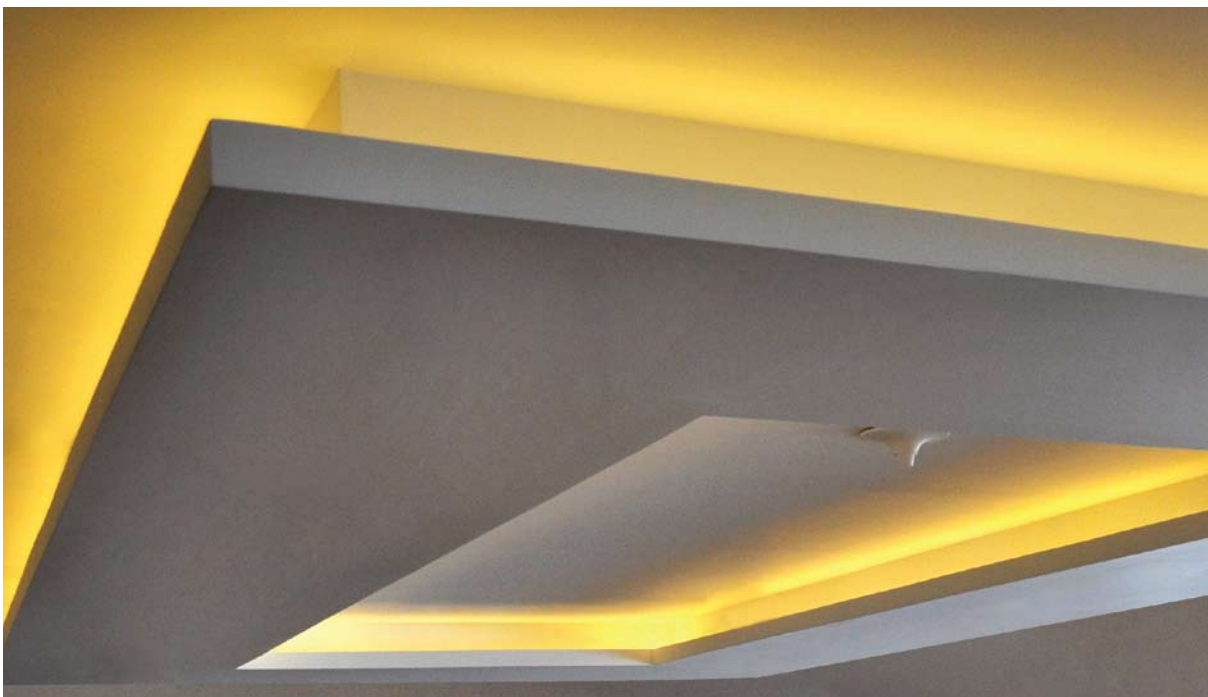
Manufactured with a durable extruded aluminium base and clear or frosted polycarbonate diffuser, the **GenLED** enclosure is designed to elegantly enclose **GenLED** cove lighting products. The enclosure is designed to mount **TUFFRAYZ**, **TUFFRAYZ JR**, **THINRAYZ** and **THINRAYZ XTRA** products.

The enclosure is available in standard lengths of 2m and can be easily field cut during installation to match the exact site requirements. Shorter custom lengths can be supplied upon request.



PRODUCT SELECTION GUIDE

PRODUCT	DESCRIPTION
GLL-COVE-ENCLOSURE-C	6.56' long extruded base with clear diffuser
GLL-COVE-ENCLOSURE-F	6.56' long extruded base with frosted diffuser
GLL-COVE-ENDCAP	End caps for cove lighting extrusions
GLL-CONTINUOUS	Accessory for continuous mounting without diffuser - Indoor application



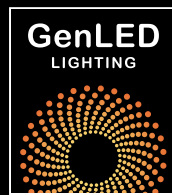
CE RoHS IP54

General LED Inc. reserves the right to discontinue any product and alter specifications, dimensions and designs without prior notice.

General LED Inc. has made every effort to ensure that the data in this catalogue are correct. However, **General LED Inc.** assumes no liability for the accuracy of contents and any consequential loss of any kind.

General LED Inc. accepts no responsibility for damage to any equipment or any kind of inconvenience caused by the failure of their products.

General LED Inc. are the sole owners of the trade marks AgiLight, GenLED Lighting and General LED.



www.GenLEDlighting.com