

GREEN LIGHTING SOLUTIONS

LED T8 Retrofit Lamps



Features and Benefits

- Replaces up to 32 watt linear fluorescent T8 and T12 lamps.
- 100 - 277V wide input voltage range
- No ballast required. Driver electronics integrated in LED tube.
- Very high Power Factor > 0.9
- Mercury free and lead free
- No UV, no IR emission
- Suitable for damp applications
- Operating temperature range between -20°C and +40°C (-20°F and +104°F)
- UL 1598, UL 1598B and CSA C22.2 Classified
- FCC Part15 Class B compliance

Applications

- Fluorescent Troffer luminaire retrofit
- Fluorescent Pendant luminaire retrofit
- Offices
- Industrial and service areas
- Hospitals
- Institutions

Energy Savings

	Lifetime	Lamp Wattage	System Wattage*	System Wattage Savings	Energy Savings
GenLED 4' T8	35,000 hrs	16.5W	16.5W		
Fluorescent 4' T8 Lamp 1	20,000 hrs	25W	29.4W	12.9W	44%
Fluorescent 4' T8 Lamp 2	25,000 hrs	32W	37.6W	21.1W	56%
Fluorescent 4' T12 Lamp	20,000 hrs	34W	40W	23.5W	59%

* Assuming 85% fluorescent ballast efficiency

Ordering Information (subject to change without notice)

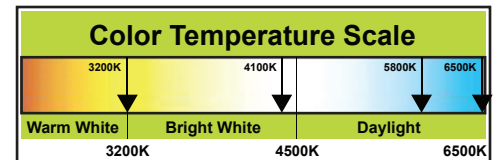
Ordering Code	Lamp Type	Cover Color	Base	Input Voltage (volt)	Nominal Wattage (watt)	Nominal Light Output* (lumen)	Beam Angle	CCT	CRI	Power Factor	Rated Avg. Life (hour)	Lamp Weight (lb)
T8-4-C8032-1200-G1	4-foot T8	Milky White	Med Bipin	100-277	16.5	1200	120°	3200K	80	0.9	35,000	1.1
T8-4-C8041-1200-G1	4-foot T8	Milky White	Med Bipin	100-277	16.5	1200	120°	4100K	80	0.9	35,000	1.1
T8-4-C7258-1400-G1	4-foot T8	Milky White	Med Bipin	100-277	16.5	1400	120°	5800K	72	0.9	35,000	1.1
T8-4-C7265-1400-G1	4-foot T8	Milky White	Med Bipin	100-277	16.5	1400	120°	6500K	72	0.9	35,000	1.1
T8-4C-C7265-1400-G1	4-foot T8	Clear	Med Bipin	100-277	16.5	1400	120°	6500K	72	0.9	35,000	1.1

*±10%

Ordering Guide

T8	-4	C	-C	80	41	-1200	-G1
Lamp Type	Length	Cover Color	Color	CRI 80	CCT 4100K	Lumen Catagory	1st Generation
	4 - 4 feet long	Clear Cover				1200:1200-1300lm	

*(no letter denotes Milky White Cover)

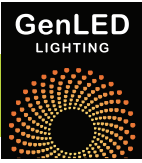


Shipping Information

Ordering Code	SKU	Case Quantity	Case Weight (lb)	SKU Dimensions (W x D x H)	Case Dimensions (W x D x H)
T8-4-C8032-1200-G1	1 lamp/SKU	24 SKUs	20	1-7/16"x1-7/16"x49"	8-1/4"x5-7/16"x44-5/16"
T8-4-C8041-1200-G1	1 lamp/SKU	24 SKUs	20	1-7/16"x1-7/16"x49"	8-1/4"x5-7/16"x44-5/16"
T8-4-C7258-1400-G1	1 lamp/SKU	24 SKUs	20	1-7/16"x1-7/16"x49"	8-1/4"x5-7/16"x44-5/16"
T8-4-C7265-1400-G1	1 lamp/SKU	24 SKUs	20	1-7/16"x1-7/16"x49"	8-1/4"x5-7/16"x44-5/16"
T8-4C-C7265-1400-G1	1 lamp/SKU	24 SKUs	20	1-7/16"x1-7/16"x49"	8-1/4"x5-7/16"x44-5/16"



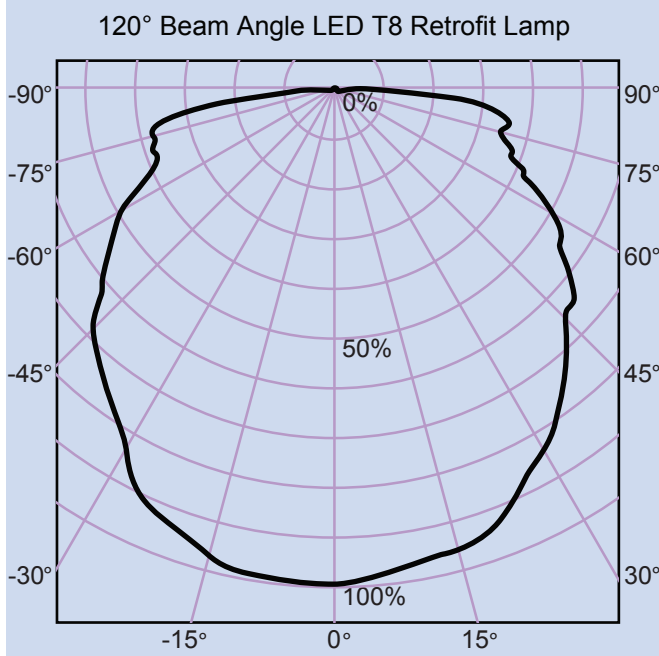
This light source meets restrictions on hazardous substances.



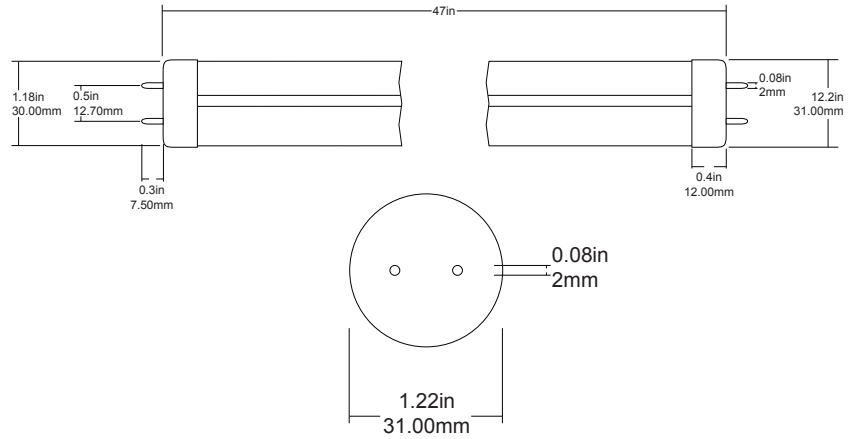
LED T8 Retrofit Lamps



Luminous Intensity Distribution



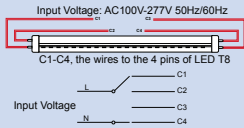
Lamp Dimensions



Installation Guide

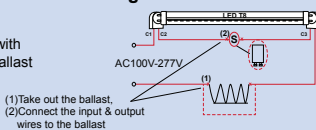
1. Lamp Wiring Circuit Diagram

Wires L and N can be connected to the wires of C1 and C4 independently
CAUTION: Do not connect wires L and N to the same wire!

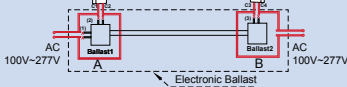


2. Luminaire Connecting

Luminaire with magnetic ballast

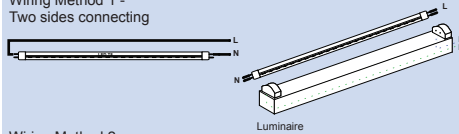


Luminaire with electronic ballast

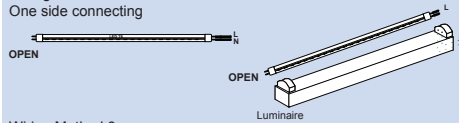


Wiring Diagrams

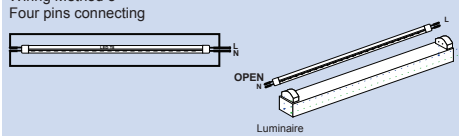
Wiring Method 1 - Two sides connecting



Wiring Method 2 - One side connecting



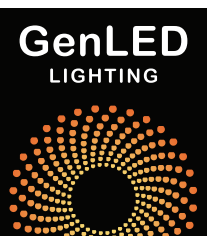
Wiring Method 3 - Four pins connecting



1) When wiring the GenLED T8 Retrofit lamp, terminal L and terminal N should be separately connected to any of the wires labeled as C1, C2, C3 and C4 in the diagram.

2) The L and N terminals can be separately connected to more than one of the wires labeled as C1, C2, C3 and C4 in the diagram.

3) To avoid the risk of electric shock, do not connect the L and N terminals directly together.



General LED, Inc.
 1218 Arion Parkway, Ste 108
 San Antonio, TX 78216
 United States of America
 1-866-482-0203
www.GenLEDLIGHTING.com
www.generalled.com

General LED Fze
 JAFZA Views Bld 19, Ste 1706
 Jebel Ali Free Zone South
 Dubai
 United Arab Emirates
 971-4-886-5204

CAUTIONS

1. Risk of Electric Shock - Use in Indoor Dry Locations Only.
2. Do Not disassemble this product. No user serviceable parts inside.
3. Not for use in totally enclosed luminaires.
4. Not for use with dimmers. Not for use in luminaires controlled by a dimmer.
5. For use only with ULcUL listed fluorescent luminaires
6. Lamp should be installed in an environment with ambient temperature ranging between -20°C and +40°C (-20°F and +104°F)
7. This product is not intended for use in emergency light fixtures or exit signs.