



MR16 POWER1

MR16 POWER1 by GenLED Lighting is the new generation powerful 7W LED lamp with an exceptionally high performance. This lamp features a bold aesthetic design and innovative technology that offer an attractive and efficient alternate to the traditional halogen MR16 lamps. These lamps are precisely engineered and manufactured with state of the art technologies and materials. Specially designed lens creates the sparkle that is equivalent to halogen lamps. The base of the lamp is GU5.3.

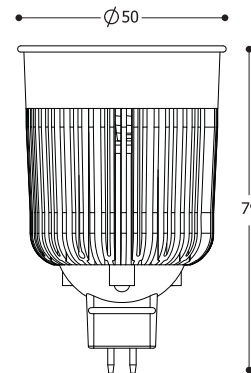
MR16 POWER1 dimmable version can be dimmed 10-100%. Recommended for use in open, vented applications.



SPECIFICATIONS

LUMINOUS FLUX	LED Type-1: 300lm (warm white), 310lm (Neutral White), 350lm (Cool White) LED Type-2: 380lm (warm white), 390lm (Neutral White), 410lm (Cool White)
BEAM ANGLE	25°, 38°, 55°
COLOR TEMPERATURE	2700K (Warm White), 4200K(Neutral White), 6000K (Cool White)
WATTAGE	7W
LAMP VOLTAGE	12V DC
DRIVER	Non integral 230/240V 50Hz
DIMMABILITY	Dimmable and Non-dimmable versions available
DIMENSIONS	1.96 in. (50mm) dia 3.11 in. (79mm) height
BASE TYPE	GU5.3
OPERATING TEMPERATURE	-20°C to +45°C
STORAGE TEMPERATURE	-40°C to +60°C
ENVIRONMENTAL RATINGS	Recommended for indoor use, dry locations
RATED LIFETIME	35,000 hours
CERTIFICATIONS	CE, RoHS

DIMENSIONS



PRODUCT SELECTION GUIDE

PRODUCT CODE	COLOR TEMP	WATTS	BEAM ANGLES (DEGREES)	CONTROL	LED TYPE
GLL-MR16 POWER1	WW-2700K	7W	25	D-DIMMABLE	1
	NW-4200K		38	ND-NON DIMMABLE	2
	CW-6000K		55		

Example: GLL-MR16 POWER1-WW-7W-38-ND-2

Note: Driver supplied along with the lamp





MR16 POWER2

MR16 POWER2 by GenLED Lighting is the new generation powerful 10W LED lamp with an exceptionally high performance. This lamp features a bold aesthetic design and innovative technology that offer an attractive and efficient alternate to the traditional halogen lamps. These lamps are precisely engineered and manufactured with state of the art technologies and materials. Specially designed lens creates the sparkle and the light output that is close to 50W halogen lamps.

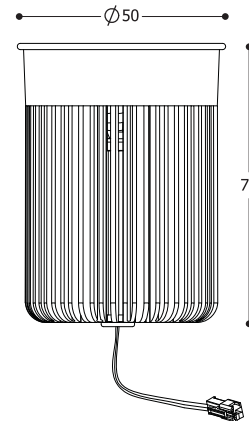
MR16 POWER2 dimmable version can be dimmed 10-100%.
Recommended for use in open, vented applications.



SPECIFICATIONS

LUMINOUS FLUX	LED Type-1: 510lm (warm white), 540lm (Neutral White), 600lm (Cool White) LED Type-2: 640lm (warm white), 670lm (Neutral White), 720lm (Cool White)
BEAM ANGLE	25°, 38°, 55°
COLOR TEMPERATURE	2700K (Warm White), 4200K (Neutral White), 6000K (Cool White)
WATTAGE	10W
DRIVE CURRENT	700mA
DRIVER	Non integral 230/240V 50Hz
DIMMABILITY	Dimmable and Non-dimmable versions available
DIMENSIONS	1.96 in. (50mm) dia 2.76 in. (70mm) height
BASE TYPE	Cable
OPERATING TEMPERATURE	-20°C to +45°C
STORAGE TEMPERATURE	-40°C to +60°C
ENVIRONMENTAL RATINGS	Recommended for indoor use, dry locations
RATED LIFETIME	35,000 hours
CERTIFICATIONS	CE, RoHS

DIMENSIONS



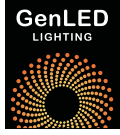
PRODUCT SELECTION GUIDE

PRODUCT CODE	COLOR TEMP	WATTS	BEAM ANGLES (DEGREES)	CONTROL	LED TYPE
GLL-MR16 POWER2	WW-2700K	10W	25	D-DIMMABLE	1
	NW-4200K		38	ND-NON DIMMABLE	2
	CW-6000K		55		

Example: GLL-MR16 POWER2-CW-10W-25-ND-1

Note: Driver supplied along with the lamp



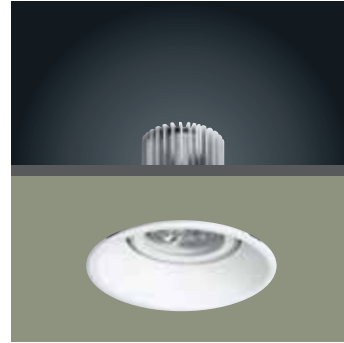


COMFORT 2

Ceiling Recessed Lights DLMR16 Series

COMFORT 2 light fixture is designed to accommodate GenLED's all MR16 LED lamps. This fixture provides soft diffused light and is ideal for applications requiring high visual comfort. Slim designed trim blends smoothly with the false ceiling and gives an impression that the fixture is an extension of the false ceiling. The standard reflector is in white finish, also available in brushed Aluminium and polished Chrome.

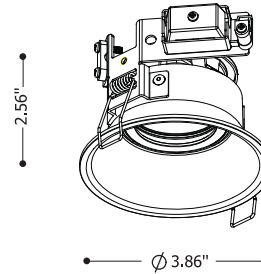
COMFORT 2 is adjustable upto 30 degrees to highlight architectural details.



SPECIFICATIONS

LAMP	Suitable for all GLL-MR16 LED lamps
DIMENSIONS	3.86 in. (98mm) Dia x 2.56 in. (65mm) H
CUTOUT OPEN	3.62 in. (92mm Dia)
TILT	30 degrees
WEIGHT	0.19 kgs
BODY MATERIAL	Aluminium
EXTERIOR COLOR	White, Brushed Aluminium, Polished Chrome
OPERATING TEMPERATURE	-10°C to +40°C
ENVIRONMENTAL RATINGS	IP20
CERTIFICATIONS	CE

DIMENSIONS



PRODUCT SELECTION GUIDE

GLL-DLMR16-COMFORT 2

Note:
MR16 LED lamps and power supplies shall be ordered separately

APPLICATIONS

Hotels, Offices, Showrooms, Corridors, Receptions, etc.

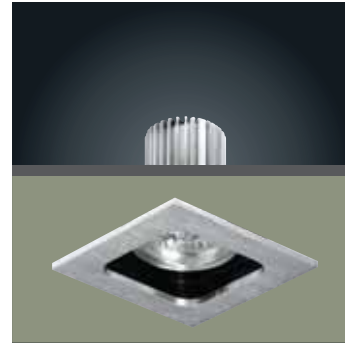




ELEGANT

Ceiling Recessed Lights DLMR16 Series

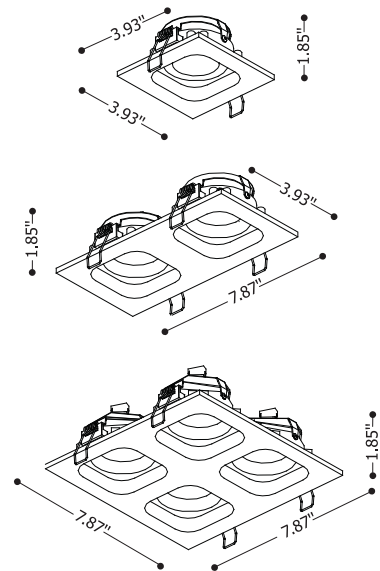
ELEGANT Series of light fixtures are designed to accommodate GenLED's all **MR16 LED** lamps. These luminaires provide flexible solution to suit any project requirement with choice of single, twin or four lamps. The fixture features square design with dark reflector which offers increased visual comfort by minimizing spillover light. Specially designed tilt mechanism provides 30 degrees tilt and ensures the target is appropriately accentuated.



SPECIFICATIONS

LAMP	Suitable for all GLL-MR16 LED lamps		
NUMBER OF LAMPS	1	2	4
DIMENSIONS	3.93 in. (100mm) L x 3.93 in. (100mm) W x 1.85 in. (47mm) H	7.87 in. (200mm) L x 3.93 in. (100mm) W x 1.85 in. (47mm) H	7.87 in. (200mm) L x 7.87 in. (200mm) W x 1.85 in. (47mm) H
CUTOUT OPEN	3.62 in. (92mm) L 3.62 in. (92mm) W	7.56 in. (192mm) L 3.62 in. (92mm) W	7.56 in. (192mm) L 7.56 in. (192mm) W
TILT	30 degrees		
WEIGHT	0.19 kgs	0.38 kgs	0.76 kgs
BODY MATERIAL	Aluminium		
EXTERIOR COLOR	White, Brushed Aluminium		
OPERATING TEMPERATURE	-10°C to +40°C		
ENVIRONMENTAL RATINGS	IP20		
CERTIFICATIONS	CE		

DIMENSIONS



PRODUCT SELECTION GUIDE

- GLL-DLMR16-ELEGANT 1
- GLL-DLMR16-ELEGANT 2
- GLL-DLMR16-ELEGANT 4

Note:

MR16 LED lamps and power supplies shall be ordered separately

APPLICATIONS

Shopping Malls, Hotels, Offices, Showrooms, Corridors, Receptions, etc.





BL Mini

GenLED's BL Mini is a compact circular recessed LED light. This is an ideal fixture for a number of indoor and outdoor architectural lighting applications. This fixture can be used both on ground and wall mounting and it is an excellent alternate to the halogen and fluorescent lights. BL Mini is available in either clear or opal glass diffusers.

BL Mini is available with integral or non-integral driver. Pre-installation kit is supplied along with the fixture.

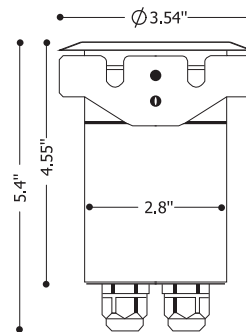
BL Mini is designed for drive over proof at 2,000Kg.



SPECIFICATIONS

WATTAGE	4.5W
NUMBER OF LED'S	3nos.
DIMENSIONS	3.54 in.(90mm)D 2.8in.(71mm) H – Non Integral 5.4in.(137mm) H – Integral
WEIGHT	1.1 kgs (Integral)
COLOR TEMPERATURE	Warm white, Neutral white, Cool white, Red, Green, Blue
POWER SUPPLY	100-240V,50Hz (Integral PS)
DIMMABILITY	Optional available with non-Integral
DIFFUSER	8mm thick tempered clear or opal glass
BODY MATERIAL	Trim in 316 Stainless steel and Body in Aluminium
EXTERIOR COLOR	Stainless steel Trim
ENVIRONMENTAL RATINGS	IP67
OPERATING TEMPERATURE	-10°C to +45°C
RATED LIFETIME	50,000 hours
CERTIFICATIONS	RoHS, CE

DIMENSIONS



PRODUCT SELECTION GUIDE

PRODUCT	COLOR TEMP	WATTS	DIFFUSER	BEAM ANGLES (DEGREES)
GLL-BL MINI	WW- Warm White 3000K	4.5W	0 – Clear 1 – Opal	15
	NW- Neutral White 4000K			25
	CW- Cool White 5500K			40
	R-Red			
	G-Green B-Blue			

Example: GLL-BL MINI-WW-4.5W-O-25

APPLICATIONS

Indoor and outdoor lighting of architectural elements, monuments, plants, parks, pathways, lawns, etc. Best suited as marker lights with opal diffuser.

RoHS IP67



RAMP Mini

GenLED's RAMP Mini is the compact wall recess LED fixture. It is an excellent alternate to halogen and fluorescent light sources and specially designed for areas having space restrictions.

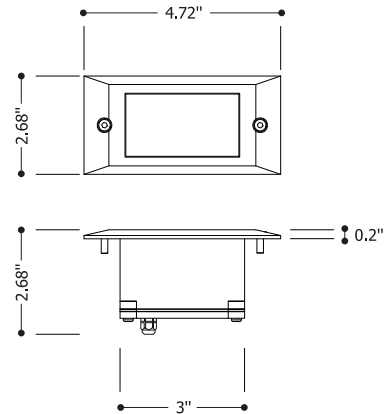
Efficient design of asymmetric reflector provides higher illumination on the walkways. The fixture is fitted with special refractor that spreads the light longitudinally which helps to increase the distance between the fixtures.



SPECIFICATIONS

WATTAGE	3.5W
NUMBER OF LED'S	1
DIMENSIONS	4.72in.(120mm)L, 2.68in.(68mm)W, 2.68in.(68mm) D
WEIGHT	0.64 kg
COLOR TEMPERATURE	Warm white, Cool white
LINE VOLTAGE	230/240V, 50Hz
POWER SUPPLY	Integral
DIFFUSER	Ribbed glass refractor
BODY MATERIAL	Aluminium
ENVIRONMENTAL RATINGS	IP65
OPERATING TEMPERATURE	-10°C to +45°C
CERTIFICATIONS	RoHS, CE

DIMENSIONS



PRODUCT SELECTION GUIDE

PRODUCT	COLOR TEMP	WATTS
GLL-RAMP MINI	WW - Warm White 3000K CW - Cool White 5500K	3.5W

Example: GLL-RAMP MINI-WW-3.5W

APPLICATIONS

Steps, Ramps, Pathways, etc

